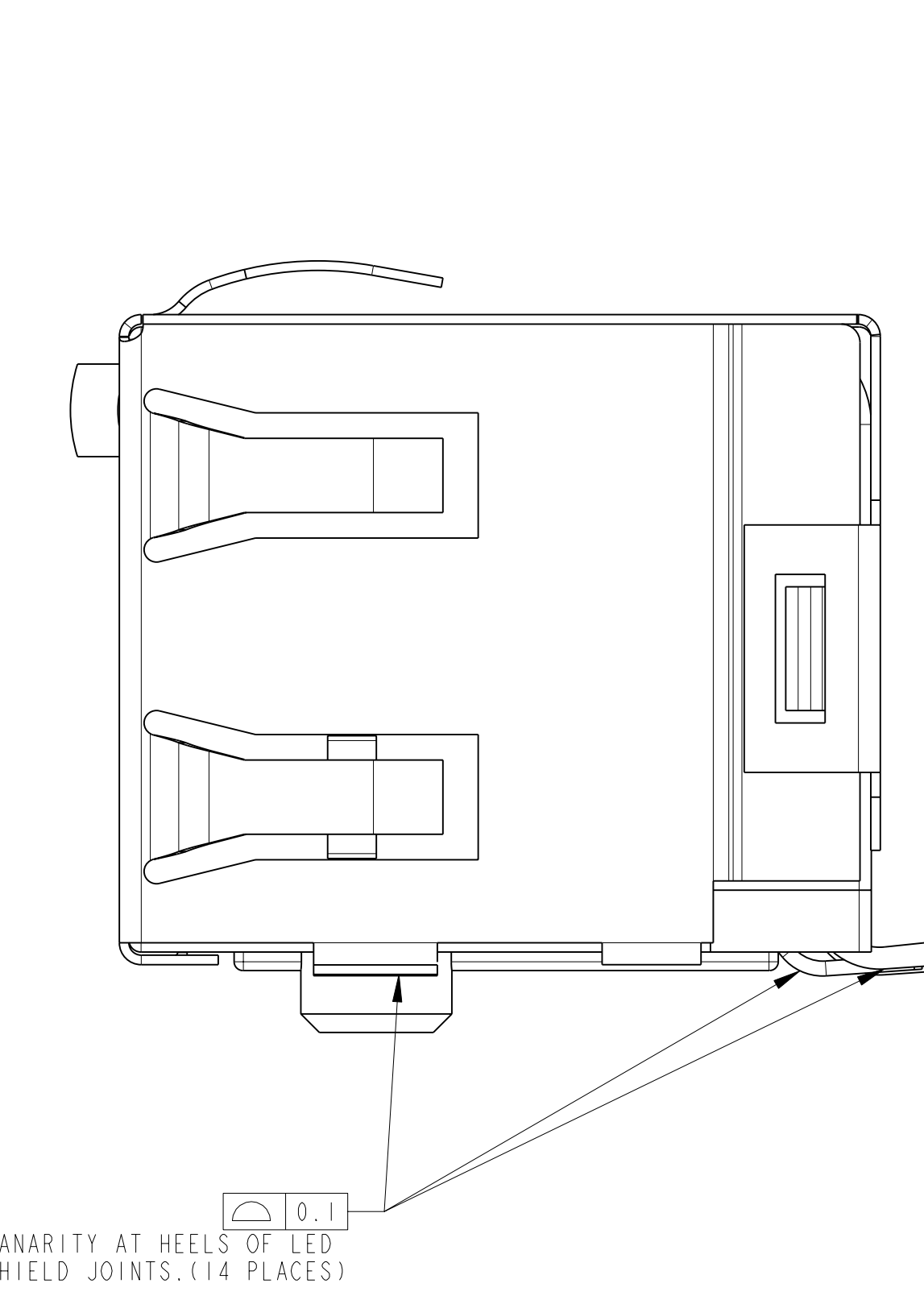
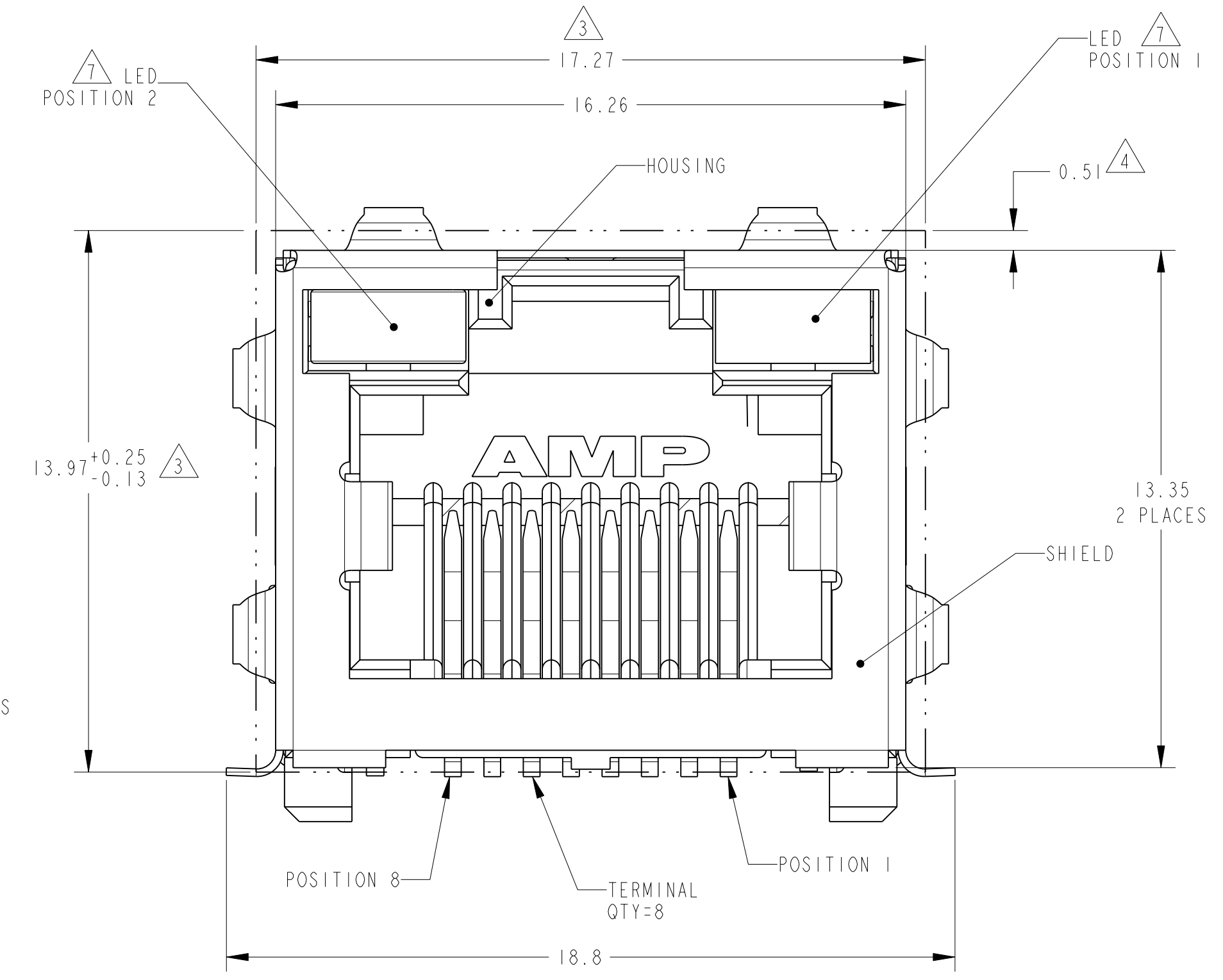
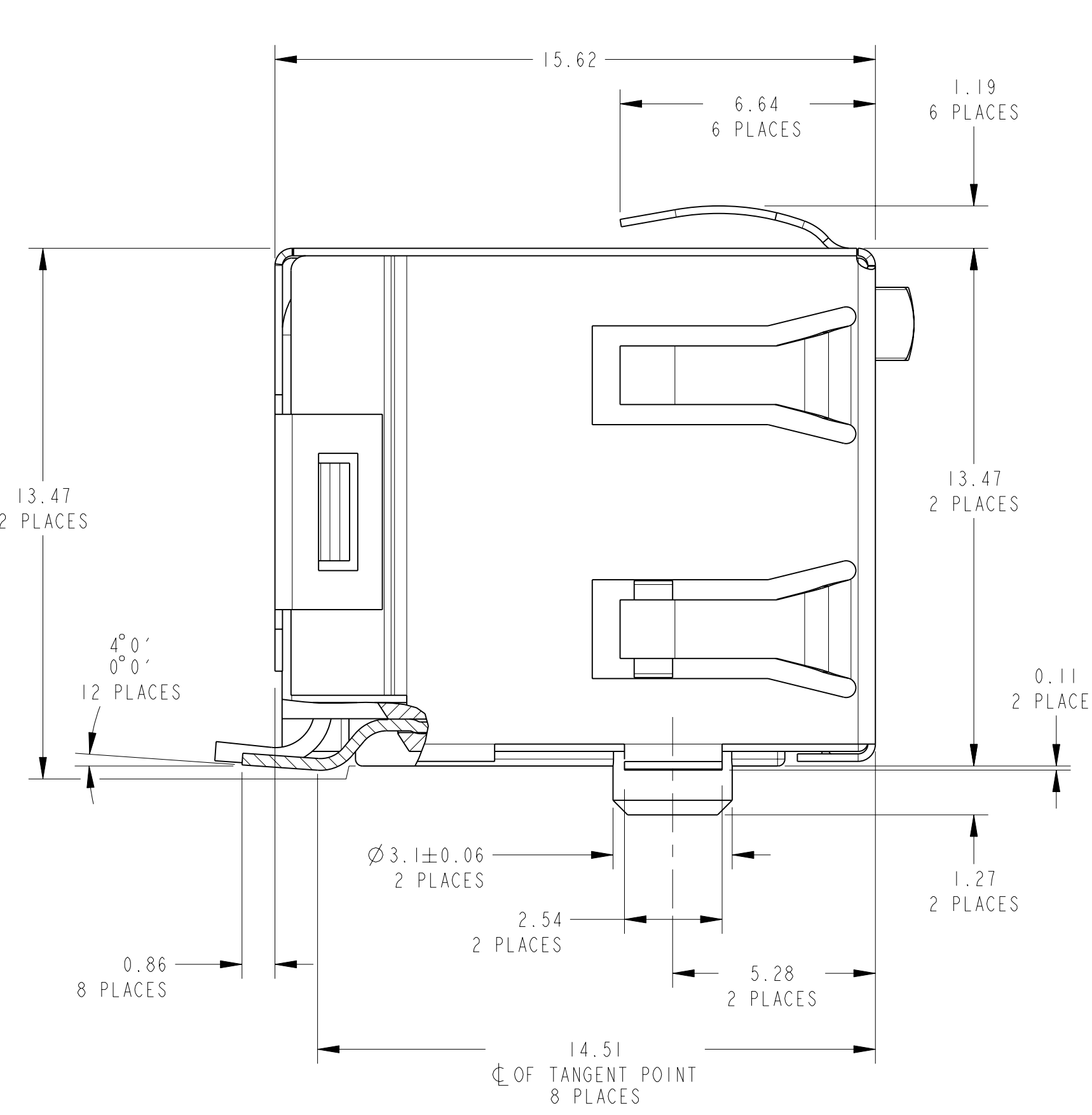


LOC	DIST	REV	DATE	BY	APPD
IR	-	E	18NOV2011	PS	RRP



1. MATERIAL:
 HOUSING - HIGH TEMP THERMOPLASTIC - LCP, BLACK, UL94V-0
 TERMINALS - 0.30 THICK PHOS BRONZE PLATED WITH 3-8.1µm MINIMUM THICK MATTE TIN IN SOLDER AREA, 1.27µm MINIMUM THICK GOLD IN LOCALIZED PLATE AREA. ENTIRE TERMINAL PLATED WITH 1.27µm MINIMUM THICK NICKEL.
 SHIELD - 0.196 THICK COPPER ZINC ALLOY PREPLATED WITH 2.03µm-3.81µm THICK MATTE TIN OVER 1.27µm THICK NICKEL.
 LIGHT EMITTING DIODE (LED) -- DIFFUSED EPOXY LENS, 0.51 X 0.51 (.020 X .020) CARBON STEEL WIREFRAME LEADS PREPLATED WITH 8.89 µm (.00080) THICK Ag OVER 1.02 µm (.00040) THICK Cu OVER 3.56 µm (.000140) THICK Ni OVER 1.02 µm (.00040) Cu UNDERPLATE.

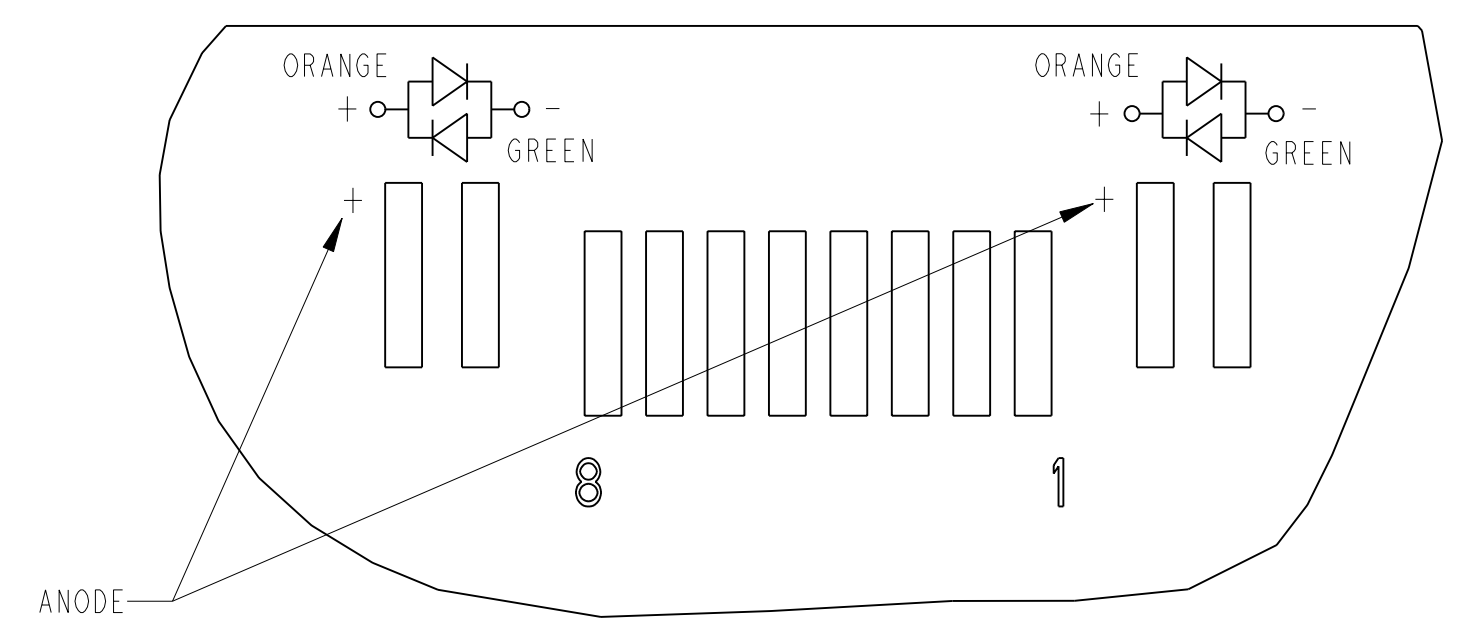
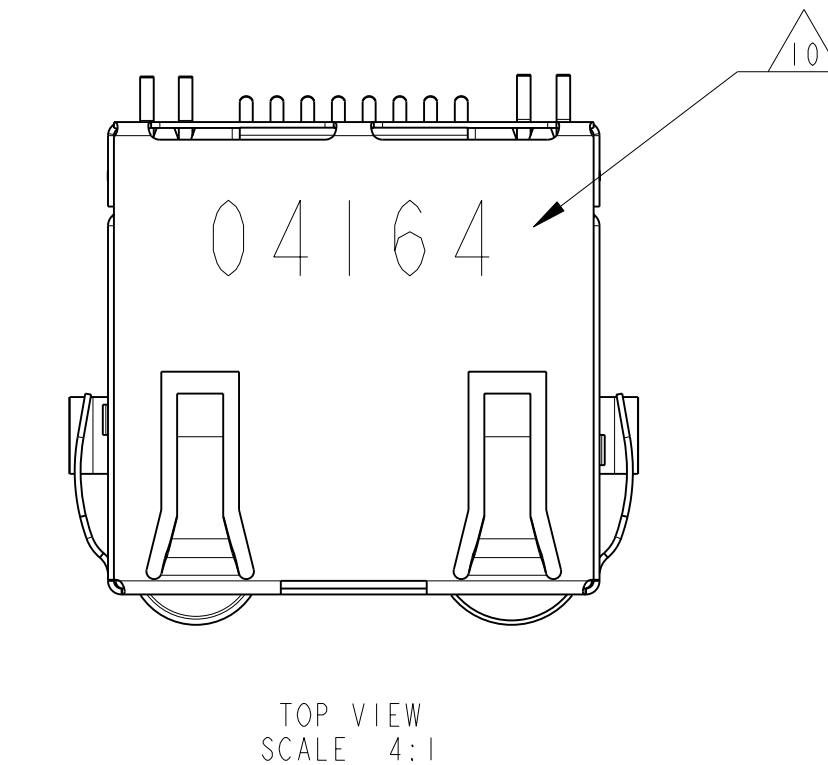
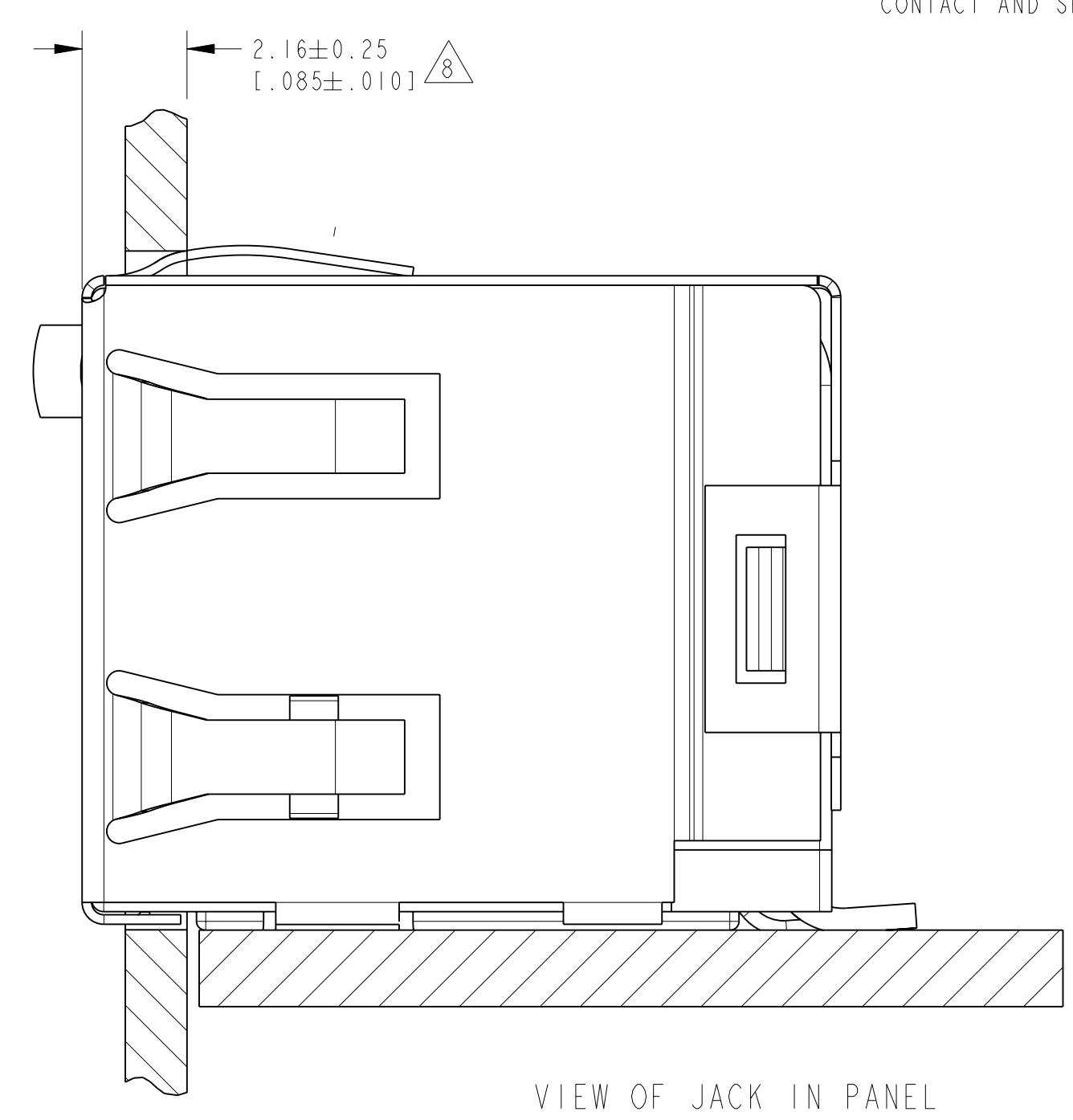
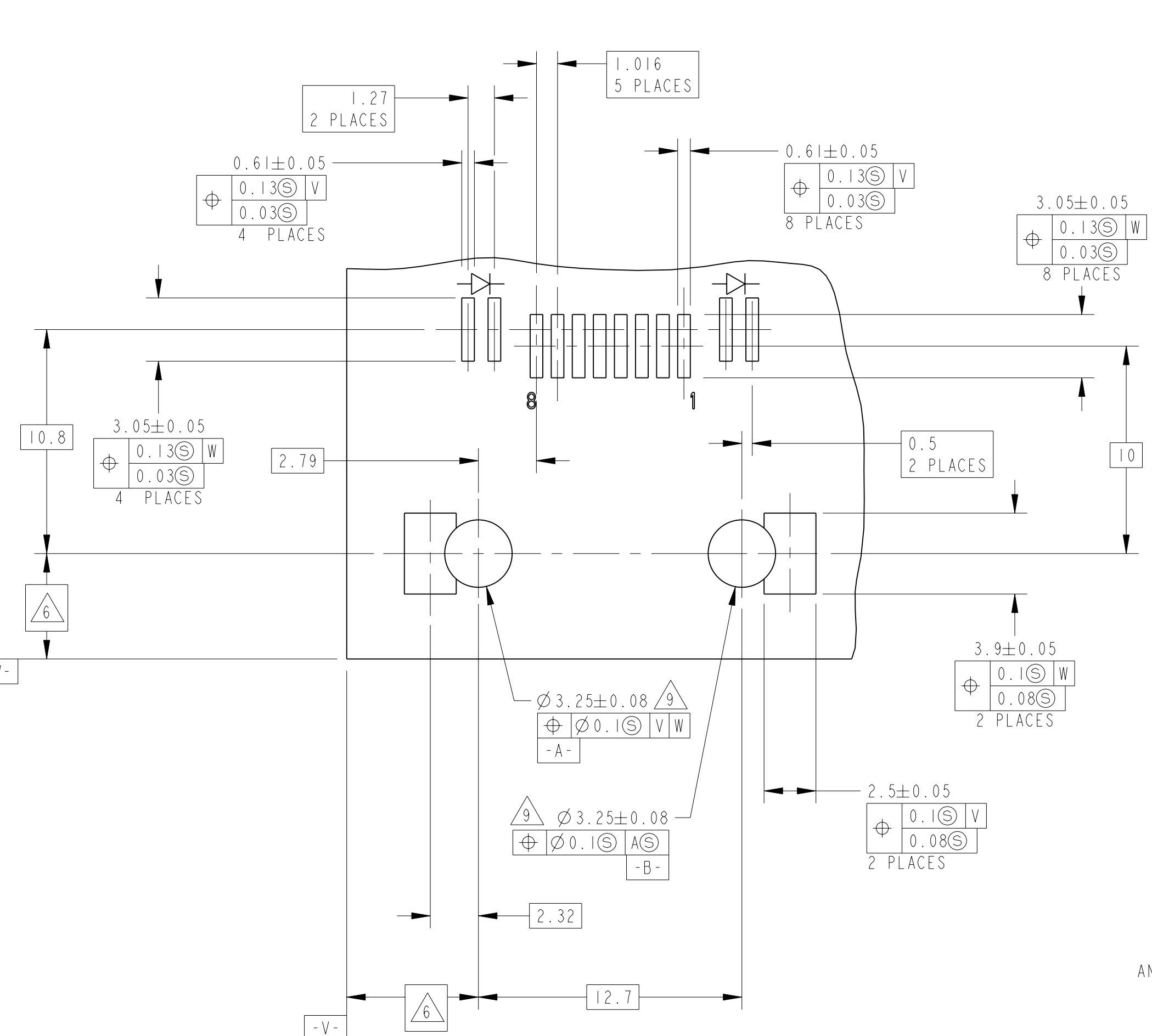
2. JACK CAVITY CONFORMS TO FCC RULES AND REGULATIONS PART 68, SUBPART F

3. SUGGESTED PANEL OPENING DIMENSIONS. SEE APPLICATION SPEC 114-2154 FOR PANEL THICKNESS AND POSITION RECOMMENDATIONS

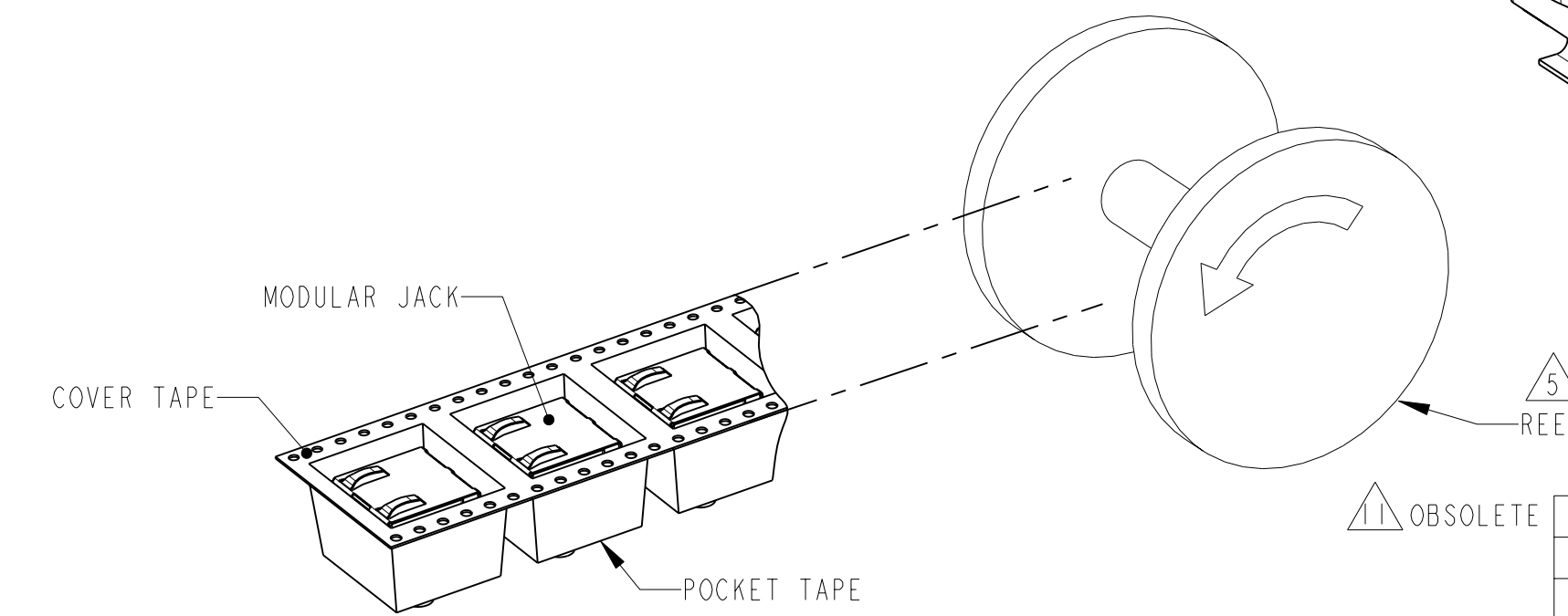
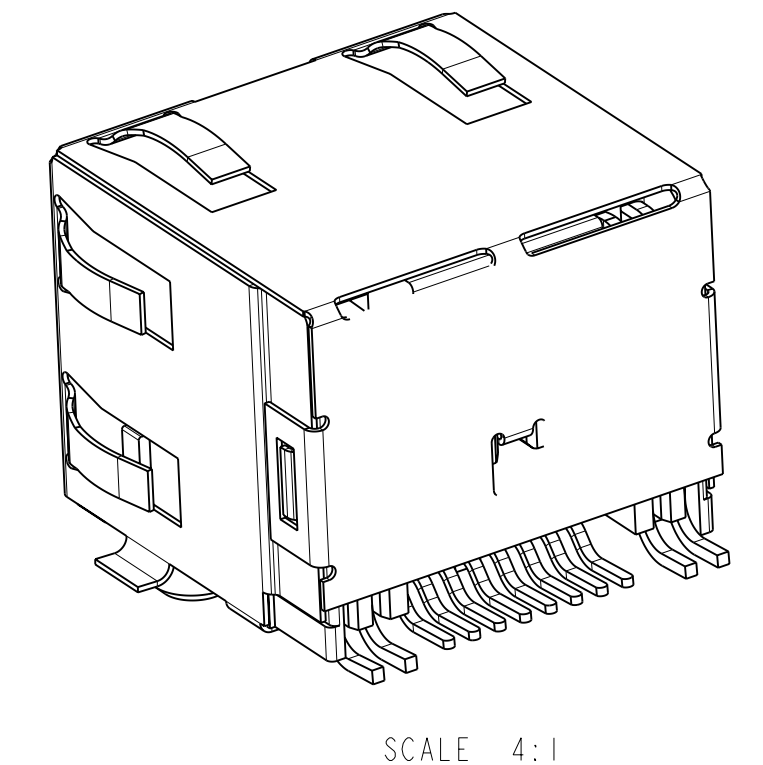
4. SUGGESTED CLEARANCE BETWEEN TOP OF CONNECTOR AND TOP PANEL OPENING

5. PACKAGED: POCKET TAPE & REEL (PER EAI 481 SPECIFICATIONS)
 POCKET TAPE WIDTH - 44mm
 POCKET PITCH - 24mm
 POCKET DEPTH - 16.7mm
 CLEAR COVER TAPE, PSA
 CLEAR COVER TAPE TRAILER - 610mm, WRAPPED ON REEL HUB
 PLASTIC REEL - 381mm DIAMETER
 PRODUCT QUANTITY - 200 PIECES PER REEL

- 6. DATUM ESTABLISHED BY CUSTOMER
- 7. SEE TABLE FOR COLOR OF LEDS AND NUMBER REQUIRED
- 8. CONNECTOR SHOULD BE POSITIONED THRU PANEL CUTOUT AS SHOWN TO SUPPORT TOP OF MODULAR JACK FOR STRAIN RELIEF
- 9. ZERO INSERTION FORCE POST WITH RECOMMENDED PCB LAYOUT
- 10. MANUFACTURING DATECODE LOCATED APPROX AS SHOWN. FIRST 2 DIGITS ARE YEAR, SECOND 2 DIGITS ARE WORK WEEK, LAST DIGIT IS THE DAY OF WEEK
- 11. OBSOLETE PARTS: OBSOLETE CIS STREAMLINING PER D.RENAUD/D.SINSI.



BI-COLOR LED SCHEMATIC FOR 2-6339191-2 ONLY SCALE 8:1



POSITION 2	POSITION 1	PART NUMBER
RED	GREEN	2-6339191-3
ORANGE/GREEN	ORANGE/GREEN	2-6339191-2
GREEN	ORANGE	2-6339191-1
GREEN	GREEN	6339191-5
GREEN	YELLOW	6339191-4
YELLOW	GREEN	6339191-1

SUGGESTED PCB LAYOUT (COMPONENT SIDE)

THIS DRAWING IS A CONTROLLED DOCUMENT.

DIMENSIONS:	TOLERANCES UNLESS OTHERWISE SPECIFIED:	9 PLC ±	1 PLC ±	2 PLC ±0.25	3 PLC ±	4 PLC ±	ANGLES ±	FINISH SEE NOTE 1
-------------	--	---------	---------	-------------	---------	---------	----------	-------------------

MATERIAL: SEE NOTE 1

THIS DRAWING IS A CONTROLLED DOCUMENT. DWG: B. HOLTZCLAW/J. WESTMAN 27 JULY 2005. CHK: J. WESTMAN 27 JULY 2005. APPD: S. FLICKINGER 27 JULY 2005. NAME: S. FLICKINGER. PRODUCT SPEC: 108-1163-7. APPLICATION SPEC: 114-6040/114-2154. WEIGHT: -. SIZE: CAGE CODE: DRAWING NO: 114-6040/114-2154. CUSTOMER DRAWING. SCALE: 5:1. SHEET: 1 OF 1. REV: E.

STE TE Connectivity

INVERTED MODULAR JACK ASSEMBLY, 1x1, SHIELDED, SURFACE MOUNT, 8 POSITION, RJ45, WITH TWO LED'S

00779 C=6339191